

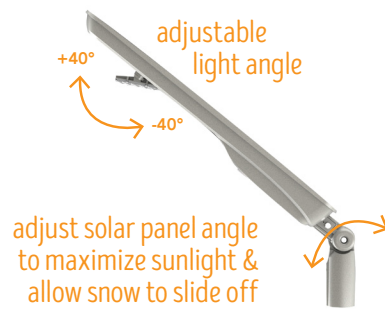
LEDSAL LED SOLAR AREA LIGHT | ALL-IN-ONE DESIGN



go completely off-grid



- 8W replaces up to 70W MH, 30W replaces up to 250W MH
- All-in-one design, the solar panel and battery are built right into the LED fixture
- No need for trenching or wiring, this fixture does not connect to any power feed
- Perfect for greenspace and greenway lighting, parks, parking lots, transit shelters and stops
- Long life battery lasts three nights with a one day charge
- Advanced new LiFePO4 battery lasts at least 2000 charge cycles
- Fixture turns on at night automatically and can be set to either stay at 100% light output or dim down if there is no motion (to extend battery life)



PART #	UPC	REPLACES	WATTAGE	LUMENS	LPW	CCT (K)
RP-SAL-8W-50K-SF-GY-G1	844006011277	UP TO 70W HID	8	1600	200	5000
RP-SAL-30W-50K-SF-GY-G1	844006011260	UP TO 250W HID	30	6000	200	5000

*See page 2 configurable specification sheet for additional styles, lumen packages, color temperatures and options.

RemPhos by Light Efficient Design
lighting on target

FOR LIGHT EFFICIENT DESIGN PRODUCT INFO CALL Light Efficient Design • 188 S. Northwest Highway • Cary, IL 60013 • 847.380.3540 • led-llc.com
FOR REMPHOS PRODUCT INFO CALL RemPhos by Light Efficient Design • 30 Log Bridge Road, Building 200 • Middleton, MA 01949 • 877.997.3674 • remphos.com

11.02.18 Information is subject to change without notice.

LEDSAL LED SOLAR AREA LIGHT | ALL-IN-ONE DESIGN



PART NUMBER BUILDER

MFR	PRODUCT	WATTAGE	COLOR	BRACKET	HOUSING COLOR	GEN
RP	SAL		50K	SF	GY	G1

8W
30W

SF=adjustable slip-fitter bracket GY=Grey

ORDERING EXAMPLE

RP-SAL-8W-50K-SF-GY-G1

PLEASE NOTE, THE LEDSAL COMES STANDARD WITH THE ADJUSTABLE SLIP-FITTER BRACKET ONLY. SEE ORDERING GUIDE FOR ADDITIONAL BRACKETS AVAILABLE FOR PURCHASE.

ORDERING GUIDE

CASE QTY	QUICK SHIP	DLC	REMPHOS PART #	QUICK SHIP UPC CODE	LUMEN OUTPUT (LM)	WATTAGE (W)	LPW	WARRANTY (YRS)	RECOMMENDED MOUNTING HEIGHT (FT)
1	●	N/A	RP-SAL-8W-50K-SF-GY-G1	844006011277	1600	8	200	5	UP TO 15FT
1	●	N/A	RP-SAL-30W-50K-SF-GY-G1	844006011260	6000	30	200	5	UP TO 30FT

ADDITIONAL BRACKETS & ACCESSORIES

ADDITIONAL BRACKETS MUST BE PURCHASED SEPARATELY.

REMPHOS PART #	DESCRIPTION
RP-SAL-BKT-8W-RP-G1	Round pole bracket for 8W
RP-SAL-BKT-8W-SP-G1	Square pole bracket for 8W
RP-SAL-BKT-8W-TN-G1	Trunnion bracket for 8W
RP-SAL-BKT-30W-RP-G1	Round pole bracket for 30W
RP-SAL-BKT-30W-SP-G1	Square pole bracket for 30W
RP-SAL-BKT-30W-TN-G1	Trunnion bracket for 30W
RP-SAL-REMOTE-G1	RP-SAL-REMOTE-G1 (remote is included standard with each fixture ordered)



Adjustable Slip-Fitter Bracket (SF)
(included w/quick ship models)



Round Pole Bracket (RP)

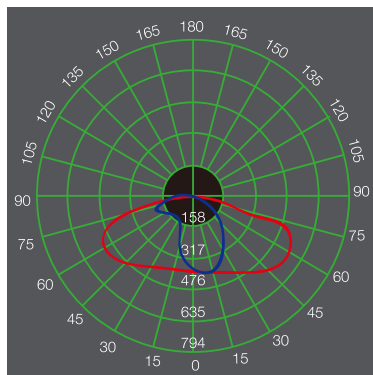


Square Pole Bracket (SP)

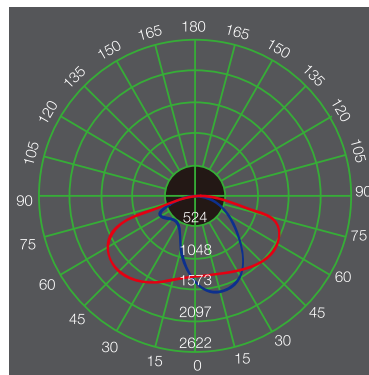


Trunnion Bracket (TN)

PHOTOMETRICS



8W
Replaces up to 70W HID



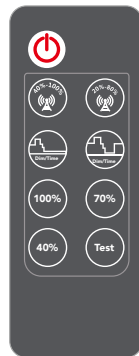
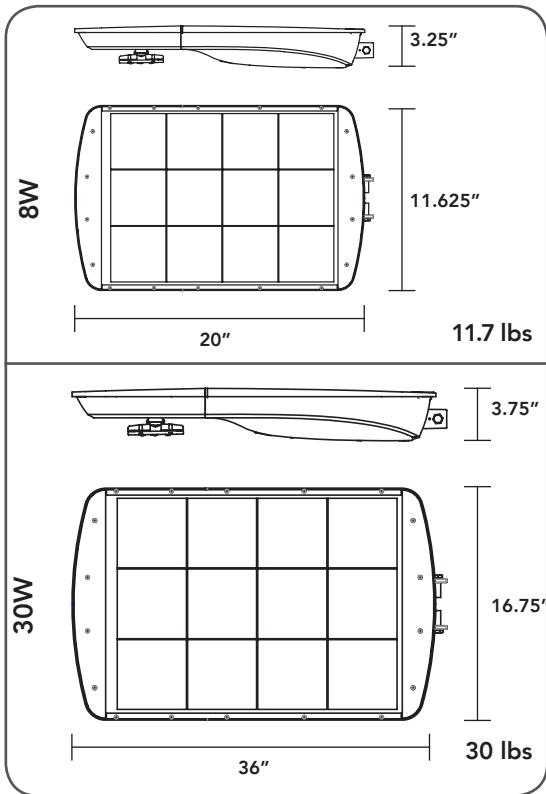
30W
Replaces up to 250W HID

RemPhos by Light Efficient Design
lighting on target

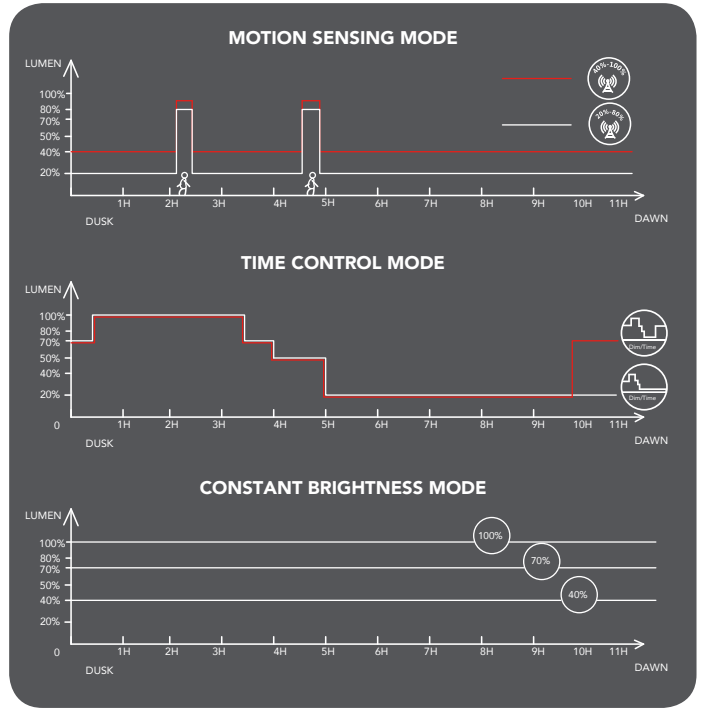
FOR LIGHT EFFICIENT DESIGN PRODUCT INFO CALL Light Efficient Design • 188 S. Northwest Highway • Cary, IL 60013 • 847.380.3540 • led-llc.com
FOR REMPHOS PRODUCT INFO CALL RemPhos by Light Efficient Design • 30 Log Bridge Road, Building 200 • Middleton, MA 01949 • 877.997.3674 • remphos.com

11.02.18 Information is subject to change without notice.

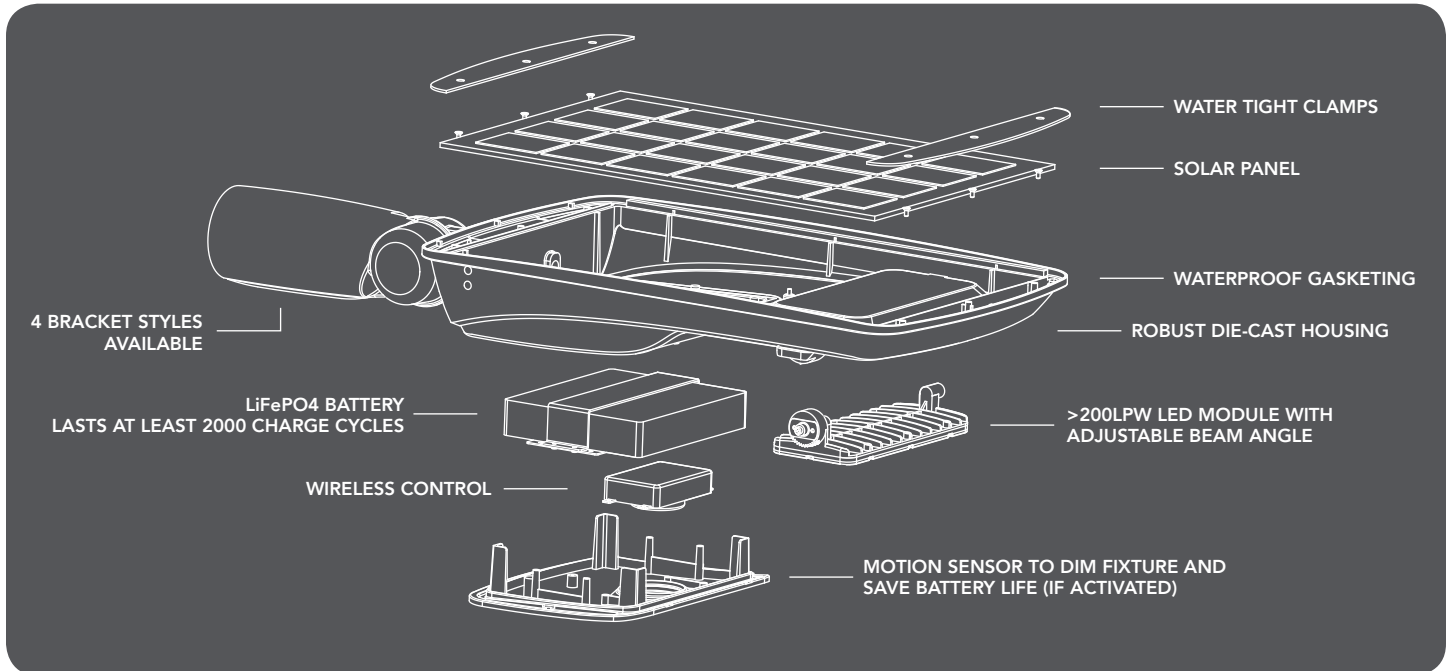
LEDSAL LED SOLAR AREA LIGHT | ALL-IN-ONE DESIGN



SELECT OPERATING MODE VIA REMOTE



SEE INSTRUCTION MANUAL FOR MORE DETAILS ON THE AVAILABLE PROGRAMS



IMPORTANT OPERATING TEMPERATURE INFORMATION The working temperature of the solar fixture is -4°F (-20°C) to +122°F (+50°C). When operating in an environment with a temperature lower than 32°F (0°C) or >149°F (65°C) the battery will stop charging, even if there is sunlight. In that temperature range the battery self protects and will not be damaged. The solar area light will still light even in those extreme temperatures until the battery is depleted.

RemPhos by Light Efficient Design
lighting on target

FOR LIGHT EFFICIENT DESIGN PRODUCT INFO CALL Light Efficient Design • 188 S. Northwest Highway • Cary, IL 60013 • 847.380.3540 • led-llc.com
FOR REMPHOS PRODUCT INFO CALL RemPhos by Light Efficient Design • 30 Log Bridge Road, Building 200 • Middleton, MA 01949 • 877.997.3674 • remphos.com

11.02.18 Information is subject to change without notice.