

LEDPANEL G2 Elegant Edge-Lit LED Panel



The RemPhos LED Panel comes standard with our integrated occupancy sensor for maximum energy savings. Unlike traditional passive infrared or ultrasonic occupancy sensors, the high-frequency microwave sensor can be hidden behind the panel, eliminating the need for external sensors and providing a clean and modern look. All panels are DLC premium.

PROJECT NAME _____

PART NUMBER _____

PART NUMBER BUILDER

MANUFACTURER

RPT

MODEL NUMBER

LEDPANEL

SIZE

2x2
1x4
2x4

LUMENS

33L
47L
63L (only 2x4)

CRI/CCT

840
850*

OPTIONS

OCC
INTERGRATED OCCUPANCY
SENSOR (BI-LEVEL DIMMING)

SMK
SURFACE MOUNT KIT (WHITE)

EMG
EMERGENCY BATTERY PACK

GEN

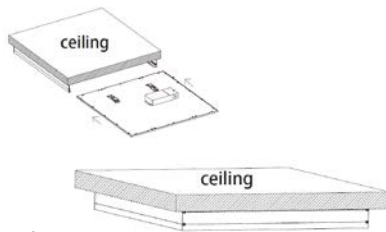
G2

ORDERING EXAMPLE

RPT-LEDPANEL-2x2-33L-840-OCC-SMK-EMG-G2

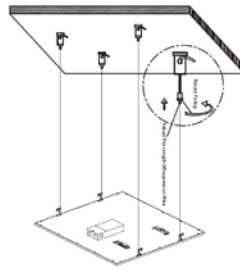
* CUSTOM ORDER

INSTALLATION GUIDE



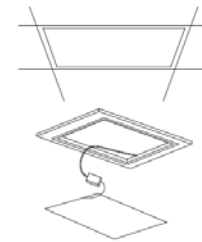
1

Surface-Mount Installation (with SMK)



2

Pendant or Suspended installation






3

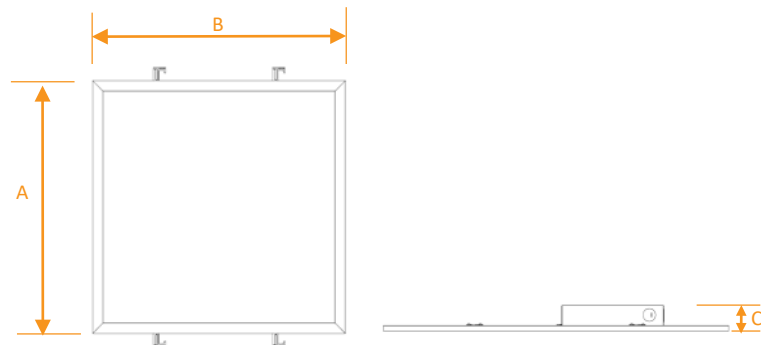
Recessed Installation

Simplified instructions. Reference full installation guide for more details. Only qualified personnel should perform installation.

QUICK SPECS

INPUT VOLTAGE	120-277V AC
EFFICACY	130 LPW
OPERATING TEMP	-30°C to 45°C
MAX. CASE TEMP	50°C
POWER FACTOR/THD	>0.9 Power Factor, THD<20%
CRI	>80
RATED LIFE	L70 LED Lifetime > 100,000 hrs.
WARRANTY	5years
CERTIFICATIONS	  <small>Suitable for damp locations</small>
PERFORMANCE LISTINGS	

DIMENSIONS



DIMENSIONS (INCHES)	A	B	C
2 x 2	23.7	23.7	1.7
1 x 4	11.9	47.7	1.7
2 x 4	23.7	47.7	1.7

LEDPANEL G2 Elegant Edge-Lit LED Panel

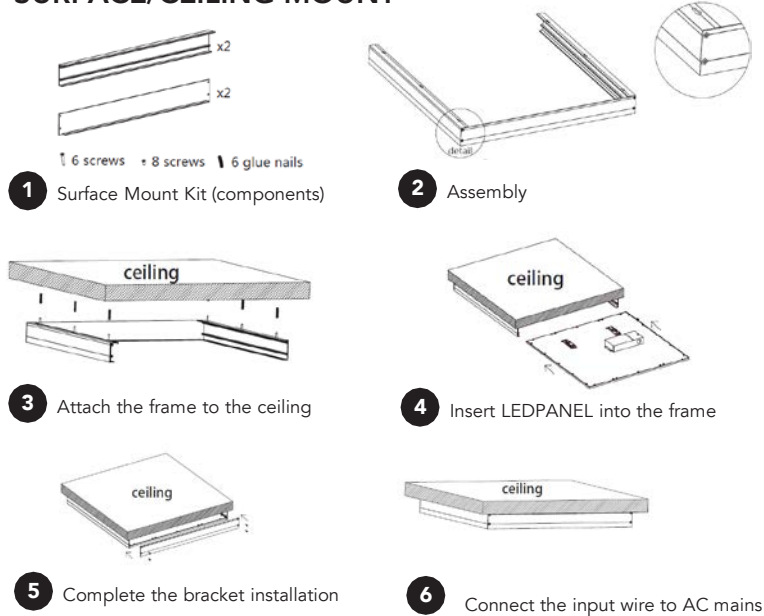
ORDERING GUIDE

CASE QTY	ENERGY STAR	DLC	PART #	LUMEN OUTPUT (LM)	WATTAGE (W)	VOLTAGE RANGE (V _{AC})	WARRANTY (YRS)
2		P	RPT-LEDPANEL-2X2-33L-8xx-G2	3250	25	120-277	5
2		P	RPT-LEDPANEL-2X2-47L-8xx-G2	4680	36	120-277	5
2		P	RPT-LEDPANEL-1X4-33L-8xx-G2	3250	25	120-277	5
2		P	RPT-LEDPANEL-1X4-47L-8xx-G2	4680	36	120-277	5
2		P	RPT-LEDPANEL-2X4-47L-8xx-G2	4680	36	120-277	5
2		P	RPT-LEDPANEL-2X4-63L-8xx-G2	6240	48	120-277	5

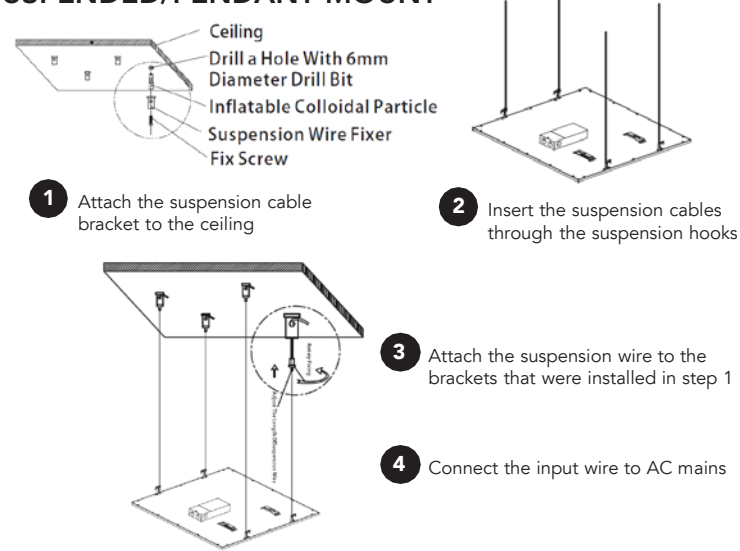
P Fixtures are DLC Premium
 x x 40 (4000K), 50 (5000K)

ADDITIONAL INSTALLATION NOTES

SURFACE/CEILING MOUNT



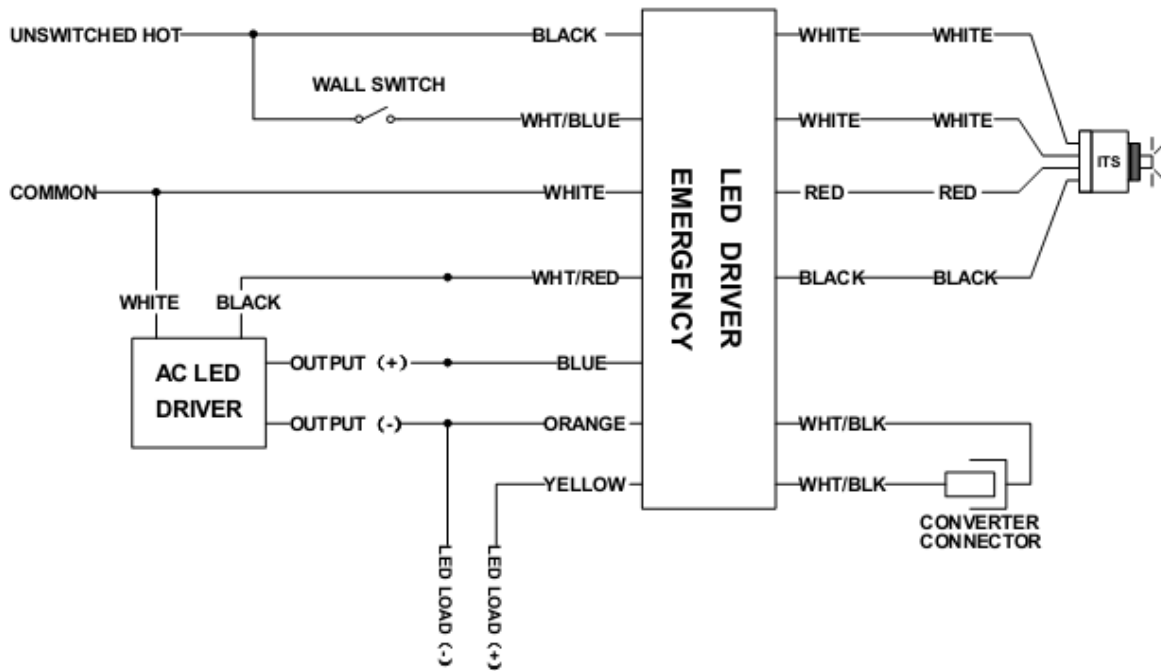
SUSPENDED/PENDANT MOUNT



LEDPANEL G2 Elegant Edge-Lit LED Panel

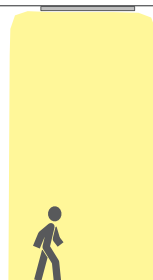
EMERGENCY BATTERY BACKUP

If requested, the LEDPANEL can be equipped with an emergency battery backup unit. This emergency unit complies with the test requirements of UL924. When AC power fails, the LEDPANELS equipped with the emergency battery backup unit immediately switches to the emergency mode, operating the fixture at a reduced lumen output for a minimum of 90 minutes. When AC power is restored, the emergency battery backup unit automatically returns to the charging mode. The recharge time for the internal battery is 24 hours. An unswitched AC line is required for fixtures with the emergency battery backup unit. A wiring diagram is shown below.



LEDPANEL G2 Elegant Edge-Lit LED Panel

FACTORY INSTALLED OCC SENSOR



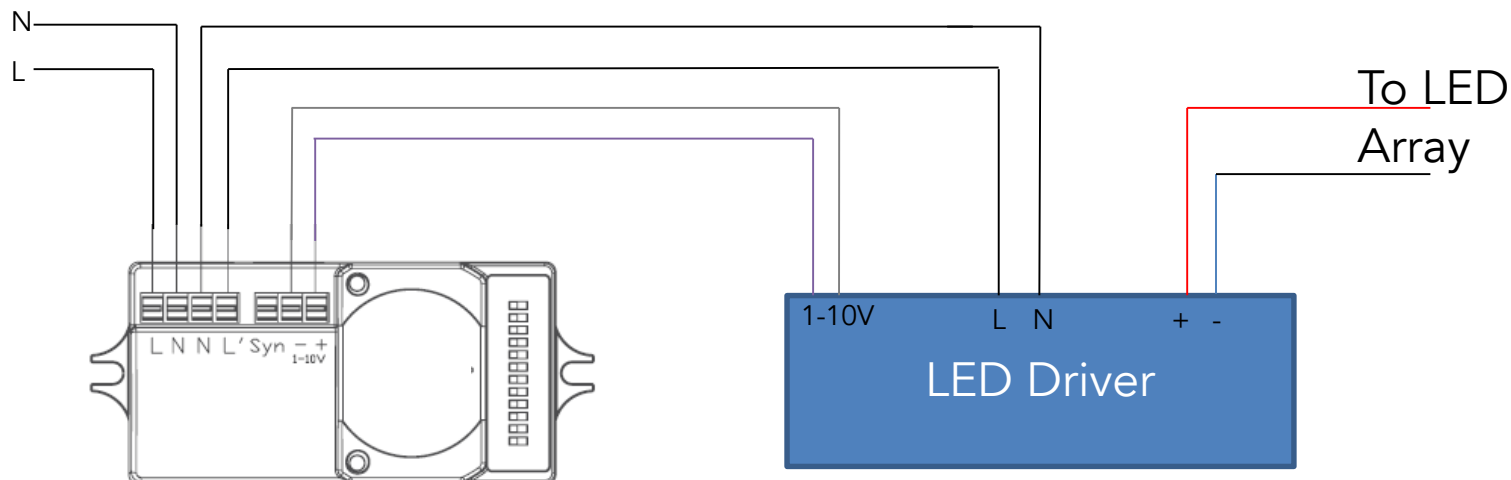
OCCUPIED (HIGH LIGHT LEVEL)



UNOCCUPIED (CONFIGURABLE LIGHT LEVEL)

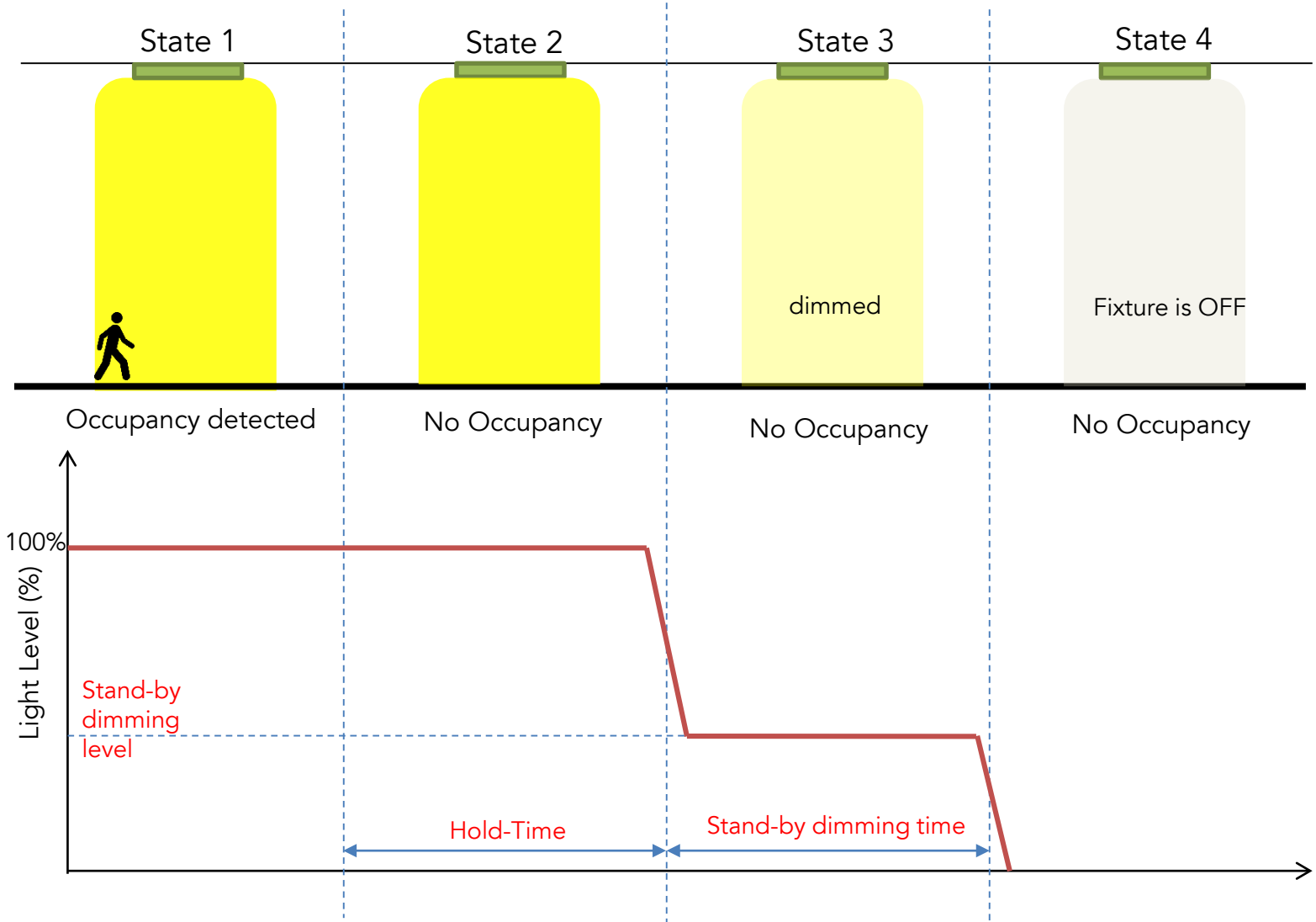
This fixture can be paired with our integral occupancy sensor for maximum energy savings. Unlike traditional passive infrared sensors (PIR) or ultrasonic occupancy sensors, this high-frequency sensor can be hidden behind the lens eliminating the need for an external sensor and providing a clean look.

FACTORY INSTALLED OCC SENSOR (HC403VRC CONTROL MODULE) - WIRING



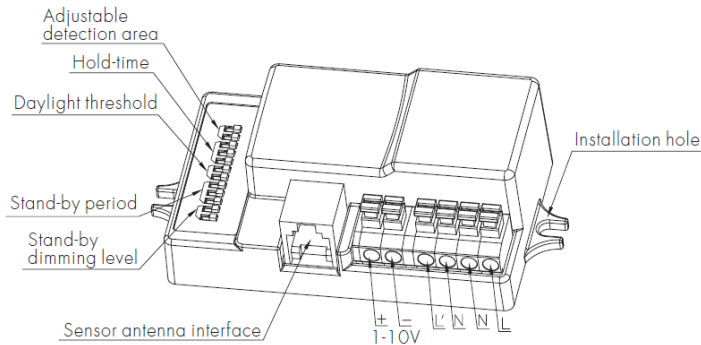
- 1 Sensor controlling 1 LED driver.
- Control is achieved via 0-10V dimming.
- The OCC module has a built-in relay (or switch) that can disconnect power to the LED driver when no occupancy is detected.

FACTORY INSTALLED OCC SENSOR (HC403VRC CONTROL MODULE) – APPLICATION SCENARIO



LEDPANEL G2 Elegant Edge-Lit LED Panel

FACTORY INSTALLED OCC SENSOR (HC403VRC CONTROL MODULE) – CONFIGURATION



Model: HC403VRC-KD

Hold-Time

	1	2	3	Hold-Time
I	●	●	●	5 secs
II	●	●	○	30 secs
III	●	○	○	1 min
IV	●	○	○	5 min
V	○	●	●	10 min
VI	○	●	○	20 min
VII	○	○	○	30 min

Daylight threshold

	1	2	Light Levels
I	●	●	Disabled
II	●	○	50 Lux
III	○	●	10 Lux
IV	○	○	2 Lux

Note:
This setting will not work with the LEDPANEL since the daylight sensor is hidden (behind the lens) and it cannot read natural light. This is disabled at the factory.

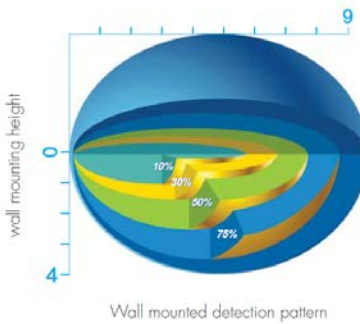
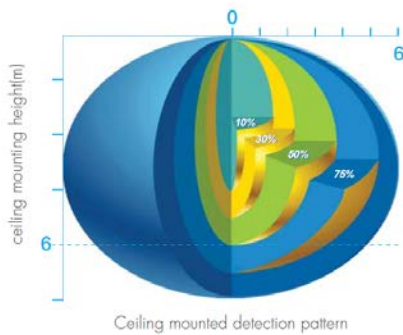
Stand-by period

	1	2	3	Stand-by time
I	●	●	●	0 secs
II	●	●	○	10 secs
III	●	○	○	1 min
IV	●	○	○	5 min
V	○	●	●	10 min
VI	○	●	○	30 min
VII	○	○	●	1 hr
VIII	○	○	○	Forever

Stand-by dimming level

	1	2	Stand-by dimming level
I	●	●	10%
II	●	○	20%
III	○	●	30%
IV	○	○	50%

See next page to understand behavior when stand-by period is set to 'forever'



Detection Area

	1	2	Detection Area
I	●	●	100%
II	●	○	75%
III	○	●	50%
IV	○	○	10%

Factory Default Settings:

Detection range: 100%
 Hold-time: 5 sec
 Stand-by period: 10 sec
 Stand-by dimming level: 10%
 Daylight sensor: Disabled

FACTORY INSTALLED OCC SENSOR (HC403VRC CONTROL MODULE) – APPLICATION SCENARIO

